

GP / GPS Spring Loaded Draw Latch

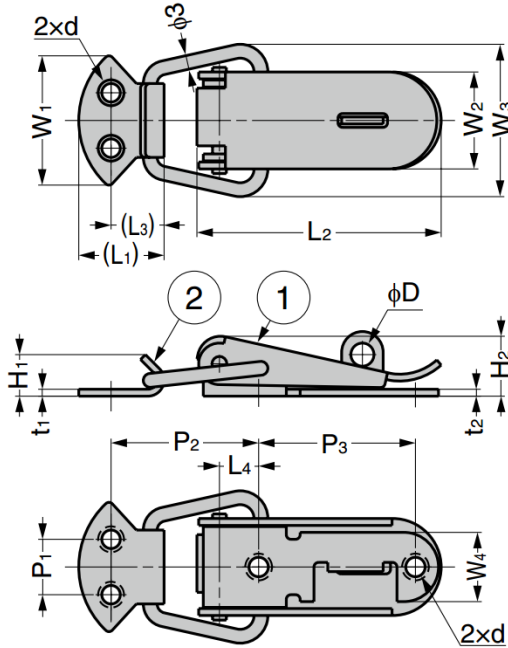
Features

- Spring loaded to hold lever in retracted position
- Available with or without hole for padlock
- Available in stainless steel or brass material



GPS30A

GP31



GPS30A (with padlock hole) shown

No.	Part Name	Material	Finish
①	Body	Stainless Steel (SUS304)	Barrel
②	Counter Plate		Polished

Stainless steel

Part No.	Padlock Hole	L ₁	L ₂	L ₃	L ₄	W ₁	W ₂	W ₃	W ₄	H ₁	H ₂	t ₁	t ₂	P ₁	P ₂	P ₃	D	d	Tension Force	
GPS31A	Yes	16	40	10	8	23	16	26	13	9	9.5	1.2	1	10	30	23	5	Counterbore for M3	98 N	10 kg
GPS30A		18	53	11.5	8.5	28	21	32	15	10	13	1.5	1.5	12	33	34	5.5		147 N	15 kg
GPS31	No	19	39	11	7	24	16	25.5	13	8	9.5	1.2	1	10	(30)	23	-	ø3.4, ø5.2 Counterbore for M3	98 N	10 kg
GPS30		18	53	11.5	8.5	28	21	32	15	10	13	1.5	1.5	12	33	34			147 N	15 kg

No.	Part Name	Material	Finish
①	Body	Brass	Chrome
②	Counter Plate		

Brass

Part No.	Padlock Hole	L ₁	L ₂	L ₃	L ₄	W ₁	W ₂	W ₃	W ₄	H ₁	H ₂	t ₁	t ₂	P ₁	P ₂	P ₃	D	d	Tension Force	
GP31A	Yes	18	39	10.5	7	24	16	26	13	8	9.5	1.2	1	10	(28)	23	5	ø3.4, ø5.2	78 N	8 kg
GP30A		18.5	52	11.5	8.5	28	22	31.5	15	9	13	1.5	1.5	12	(32)	34	5.2		ø3.2, ø6.2	98 N
GP31	No	18	39	10.5	7	24	16	26	13	8	9.5	1.2	1	10	(28)	23	-	ø3.4, ø5.2	78 N	8 kg
GP30		18.5	52	11.5	8.5	28	22	31.5	14.8	9	13	1.5	1.5	12	(32)	34			ø3.2, ø6.2	98 N